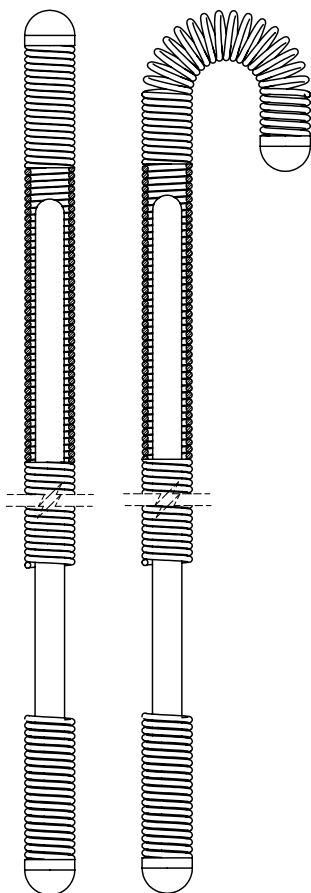
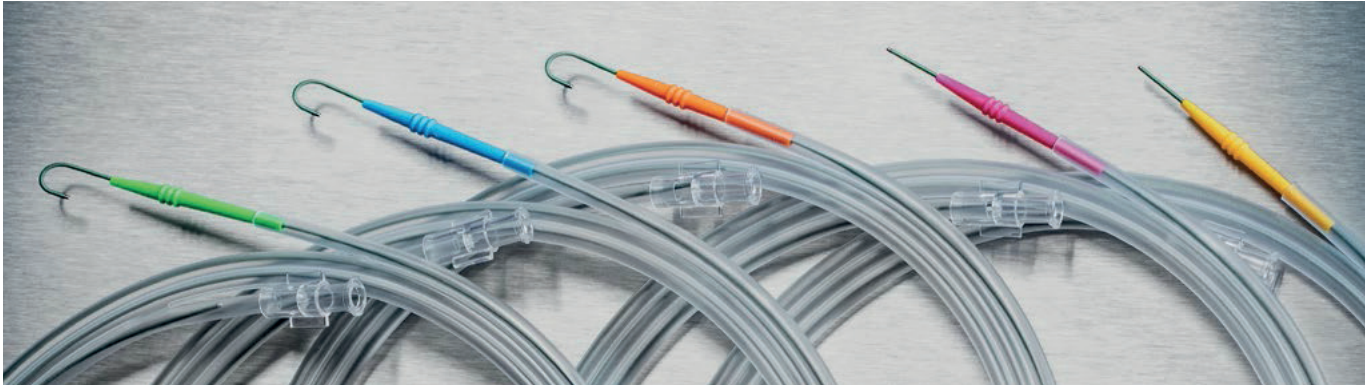


Accoat Guide Wire – Seldinger Movable



Dimensions

Ø 0.032" / 0.82 mm
Ø 0.035" / 0.89 mm
Ø 0.038" / 0.97 mm

Length

30 – 450 cm

Surface

Stainless steel
PTFE coated

Distal tip form

Straight tip
J-tip radius: 1,5 – 3 – 6 – 15 mm

Shaft stiffness

Standard
Stiff

Customised products on request

Description of item code

(H)-M-S/Jr-(C)-0xx-L
(example: M-S-C-035-150)

H	Stiff guide wire
M	Movable guide wire
S	Straight tip
Jr	J-tip radius J1.5 mm J3 mm J6 mm J15 mm
C	PTFE coated
Without C	Stainless steel
0xx	Diameter of the guide wire 032: 0.032" (0.82 mm) 035: 0.035" (0.89 mm) 038: 0.038" (0.97 mm)
L	Length of the guide wire ■ 30 – 450 cm